

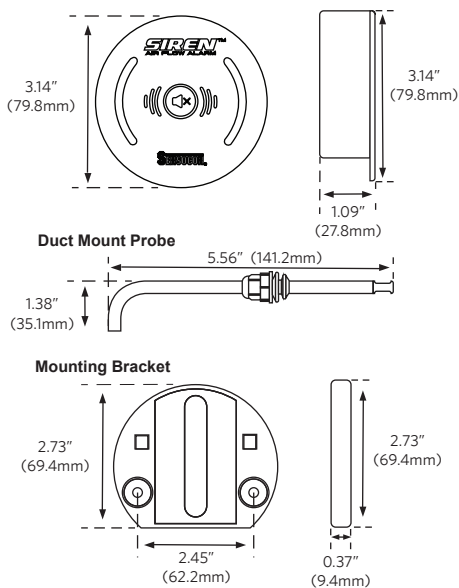
SERIES AFA *SIREN*TM Air Flow Alarm



- High Visibility Status Indication
- Quick Installation
- Standard Night Set Back
- Audible Alarm
- Multiple Mounting Options

The Series AFA SirenTM is an air flow monitor designed to provide visual and audible indications for decreases in air flow. Its color changing LED's provide vibrant visual indication of the operating status of the unit. The SirenTM gives a relay output and a clear audible alarm when air flow decreases below the designated set point. The SirenTM offers multiple mounting options including bracket mounting and interlocking strips. The unit can be powered through the 6-position terminal connection or by use of a power adapter. The alarm point can be set at a given air flow or at 80% of a given air flow. All units come standard with a night set back option and 6 position terminal plug. The Siren also fulfills the exhaust alarm requirement needed to be in compliance with **NSF/ANSI** Standard 49. A quick installation process, one-touch calibration, and one-touch reset make for an easy set up and easy use.

DIMENSIONS



MODEL NUMBER

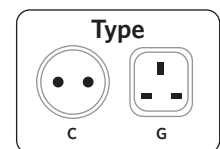
Model: AFA-D

Includes: - *SIREN*TM Alarm
- Power Adapter
- Duct Mount Probe
- Pluggable Terminal Block
- Mounting Bracket

Optional:

Model: AFA-D-C - with Type C Power Adapter
(Europe, South America, Asia)

Model: AFA-D-G - with Type G Power Adapter
(UK, Ireland, Malta, Malaysia, Singapore)



SPECIFICATIONS

Operating Temperature: 60 - 100° F (16 - 37°C)
Velocity Range: 40 - 2000 ft/min (0.2 - 10.2 m/s)
Power: 12 - 24 VDC to removable screw terminals or with provided adapter (2.1mmx5.5mm barrel plug)
Input Current: 0.5 A Max
Repeatability: 2%
Relay Input: Night Set Back
Relay Output: SPDT 2A @ 30 VDC
Audible Alarm: 87 dB
Probe Cable Length: 12ft (3.6m)
Power Adapter Cable Length: 6ft (1.8m)

ACCESSORIES

- **A-301** 6ft (1.8m) Power Adapter Extension Cable