

# SERIES 250 STAINLESS STEEL PRESSURE TRANSDUCER



## Features & Applications

- Constructed of one piece of solid stainless steel!
- No welds, o-rings, or silicone oil to leak and cause system problems.
- Perfect for applications such as: chillers, boilers, refrigerant systems, pumps, & compressors.
- Able to handle any media compatible with 17-4PH stainless steel!
- Available with amplified outputs of 4-20mA or 1-5 VDC.
- Extremely compact design which allows for mounting in even the smallest locations!
- NEMA 4 rated.
- Standard 2-year warranty!

**For the Most Recent Product  
Information Visit Our Website at  
[www.airflowtech.co.kr](http://www.airflowtech.co.kr)**

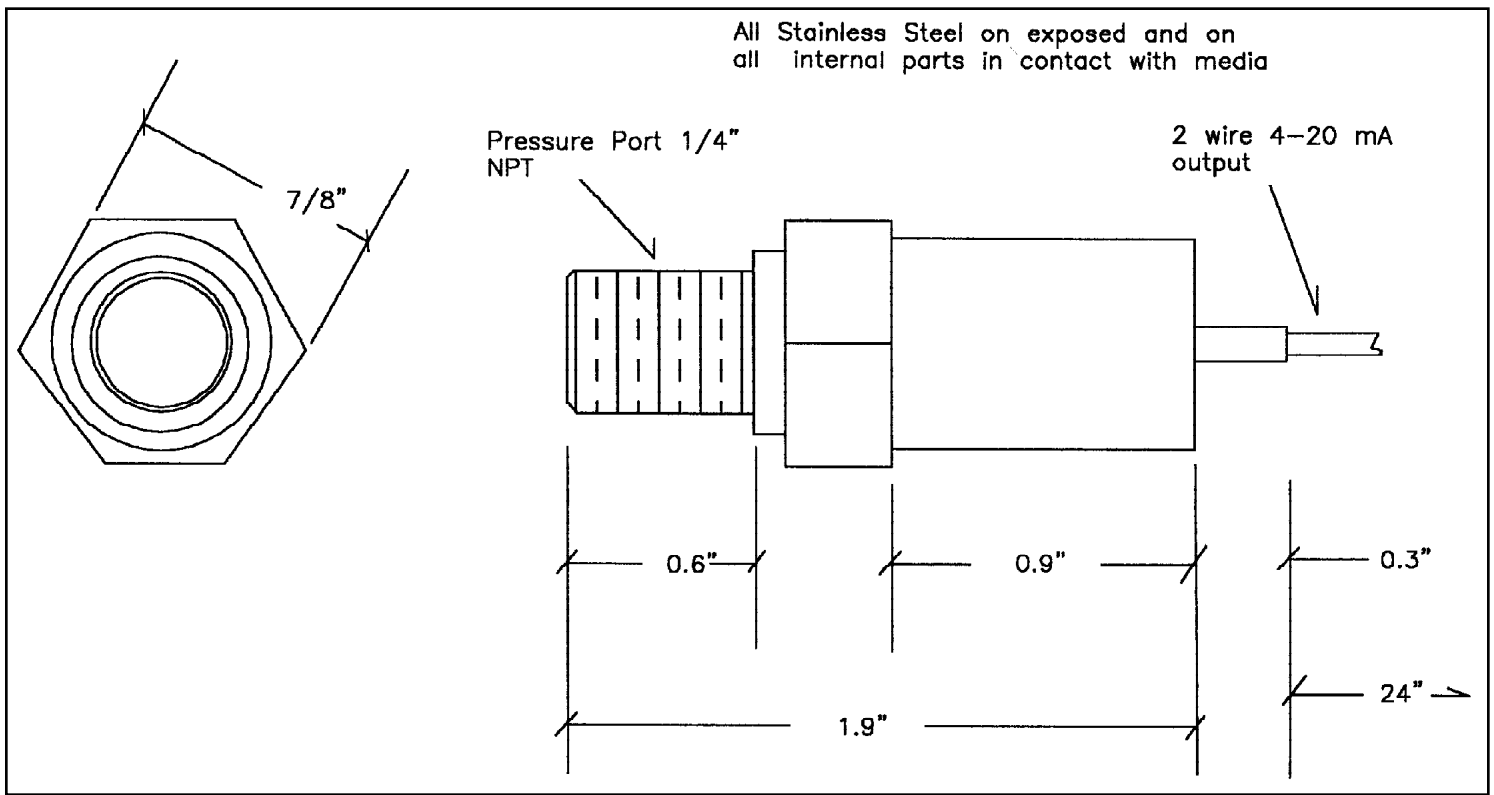
## Specifications

Accuracy:*	< +/-1% of F.S.O.
Stability:	+/- 0.25% F.S.O./yr. typical
Thermal Effects:	+/- 2% of F.S.O.
Overpressure:	2X range
Pressure Range:	0-100,250,500,1000,2500,5000, 10000 PSI
Compensated Range:	0° to 55° C (30° to 130° F)
Media:	Any media, wet or dry, compatible with 17-4 PH stainless steel
Operating Temp:	-20° to 85° C (-4° to 185° F)
Input Supply:	10-30 VDC
Supply Current:	10mA maximum (for voltage output)
Load Resistance:	5K minimum on voltage output, 1.1K on 4-20mA
Output Signal:	1-5 VDC, 4-20mA two wire
Zero Offset:	+/- 2%
Electrical Connections:	24" 3-wire (1-5V output), 24" 2-wire (4-20 mA output)
PressureConnections:	1/4" NPT
Housing:	solid one piece 17-4 PH stainless steel
Dimensions:	Approx. 2.2" L x 7/8" Hex (54.8 mm L x 21.4 mm Hex)

\*Includes linearity, hysteresis, and repeatability at a fixed temperature

## Air Flow Tech

B-504, Hagye Technotown, 250-3, Hagye-Dong, Nowon-Gu, Seoul, Korea  
TEL : (02) 948-5432 • FAX (02) 977-2214  
[info@airflowtech.co.kr](mailto:info@airflowtech.co.kr)



## How to Order

A typical order number consists of model number, pressure range, output signal, and mounting connection

<u>Model</u>	<u>Pressure Range</u>	<u>PSI</u>	<u>Output</u>	<u>Mounting Connection</u>
250G	100P	P= PSI	3 = 1-5 VDC	N = 1/4" NPT
	250P		4 = 4-20 mA	
	500P		two wire	
	1000P			
	2500P			
	5000P			
	10000P			

**Example: 250G 500P 4 N** (Model 250G, 500 PSI pressure range, 4-20mA output, 1/4" NPT mounting connection)

## Warranty

Any regular Air Flow Tech product that proves to be defective in material or workmanship within a warranty period of two (2) years will be repaired or replaced when returned freight prepaid.

**Note:** Air Flow Tech reserves the right to change its specifications at any time, without notice. Air Flow Tech is not expert in the customer's technical field and therefore does not warrant the suitability of its product for the application selected by the customer.